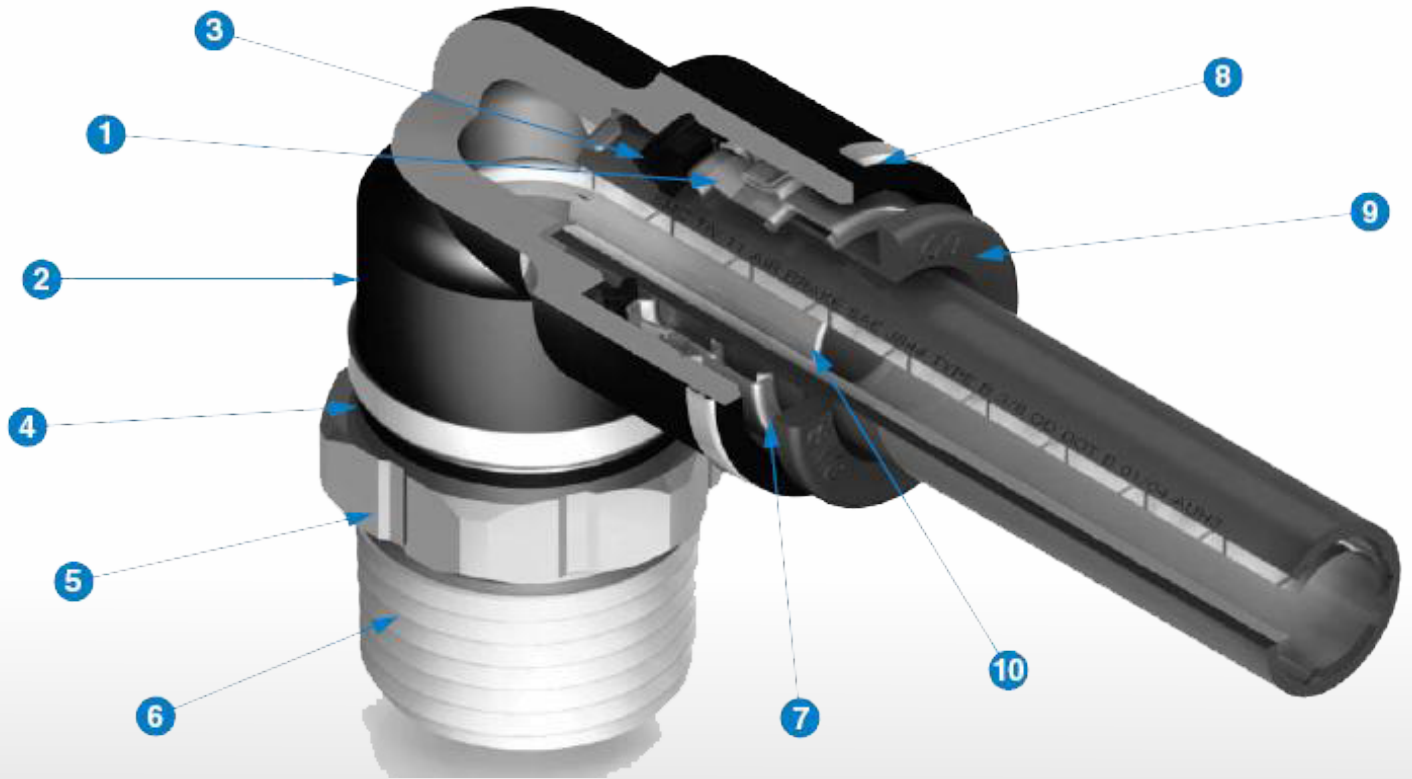


Push-to-Connect

COMPOSITE BODY DOT FITTINGS



1) CHUCK - Stainless steel or brass chuck design permits both smooth tube entry and high gripping force

2) BODY - Offers weight savings, compact dimensions, high performance, and superior chemical resistance

3) TUBE SEAL - Engineered low temperature seal goes beyond the standard o-ring seal

4) STUD END O-RING - O-Ring seal permits the fittings to be positioned into place after installation (not shown)

5) STUD - Brass (thread portion) stud end, NPT (male), and NPT (female)

6) SEALANT - Standard, pre-applied thread sealant facilitates installation

7) GUIDE - Holds internal components together and also guides release button

8) STABILIZATION RING - Ensures high temperature stability and maximum performance with a smaller overall package

9) RELEASE BUTTON - Large release button contacts the gripping ring when pushed in. Button is designed so gripping fingers do not scrape the tube during insertion or removal and lower insertion and releases force

10) TUBE SUPPORT - Fixed tube support promotes easier tube insertion, superior side load performance, and increased tube retention

STRAIGHT UNION



PART NO.	TUBE OD	QTY
TRAKV2H03-00	5/32	5
TRAKV2H07-00	1/4	5
TRAKV2H11-00	3/8	5
TRAKV2H13-00	1/2	1
TRAKV2H15-00	5/8	1

MALE BRANCH TEE



PART NO.	TUBE OD	THREAD NPT	QTY
TRAKV2T03-33S	5/32	1/16-18	1
TRAKV2T03-34S	5/32	1/8-27	1
TRAKV2T07-34S	1/4	1/8-27	1
TRAKV2T07-35S	3/8	1/4-18	1
TRAKV2T11-35S	1/2	3/8-18	1

UNION TEE



PART NO.	TUBE OD	THREAD NPT	QTY
TRAKV2T03-00	5/32	5/32	1
TRAKV2T07-00	1/4	1/4	1
TRAKV2T11-00	3/8	3/8	1
TRAKV2T13-00	1/2	1/2	1
TRAKV2T15-00	5/8	5/8	1

MALE RUN TEE



PART NO.	TUBE OD	THREAD NPT	QTY
TRAKV2Y03-33S	5/32	1/16-18	1
TRAKV2Y03-34S	5/32	1/8-27	1
TRAKV2Y07-34S	1/4	1/8-27	1
TRAKV2Y07-35S	1/4	1/4-18	1
TRAKV2Y11-35S	3/8	1/4-18	1
TRAKV2Y13-35S	1/2	1/4-18	1

90° UNION ELBOW



PART NO.	TUBE OD	QTY
TRAKV2L03-00	5/32	1
TRAKV2L07-00	1/4	1
TRAKV2L11-00	3/8	1

MALE BRANCH "Y"



PART NO.	TUBE OD	THREAD NPT	QTY
TRAKV2U07-34S	1/4	1/8-27	5
TRAKV2U11-35S	3/8	1/4-18	5
TRAKV2U13-36S	1/2	3/8-18	2

STRAIGHT MALE CONNECTOR



PART NO.	TUBE OD	THREAD NPT	QTY
TRAKV2H03-33S	5/32	1/16-27	5
TRAKV2H03-34S	5/32	1/8-27	5
TRAKV2H03-35S	5/32	1/4-18	5
TRAKV2H07-34S	1/4	1/8-27	5
TRAKV2H07-35S	1/4	1/4-18	5
TRAKV2H07-36S	1/4	3/8-18	5
TRAKV2H11-34S	3/8	1/8-27	5
TRAKV2H11-35S	3/8	1/4-18	5
TRAKV2H11-36S	3/8	3/8-18	5
TRAKV2H11-37S	3/8	1/2-14	1
TRAKV2H13-35S	1/2	1/4-18	1
TRAKV2H13-36S	1/2	3/8-18	1
TRAKV2H13-37S	1/2	1/2-14	1
TRAKV2H15-36S	5/8	3/8-18	1
TRAKV2H15-37S	5/8	1/2-14	1
TRAKV2H19-36S	3/4	3/8-18	1
TRAKV2H19-37S	3/4	1/2-14	1

45° MALE ELBOW



PART NO.	TUBE OD	THREAD NPT	QTY
TRAKV2K03-34S	5/32	1/8-27	5
TRAKV2K07-34S	1/4	1/8-27	5
TRAKV2K07-35S	1/4	1/4-18	5
TRAKV2K07-36S	1/4	3/8-18	5
TRAKV2K11-34S	3/8	1/8-27	5
TRAKV2K11-35S	3/8	1/4-18	5
TRAKV2K11-36S	3/8	3/8-18	5
TRAKV2K13-34S	1/2	1/8-27	1
TRAKV2K13-35S	1/2	1/4-18	1
TRAKV2K13-36S	1/2	3/8-18	1
TRAKV2K13-37S	1/2	1/2-14	1
TRAKV2K15-36S	5/8	3/8-18	1
TRAKV2K15-37S	5/8	1/2-14	1
TRAKV2K19-37S	3/4	1/2-14	1

FEMALE CONNECTOR



PART NO.	TUBE OD	THREAD NPT	QTY
TRAKV2F03-34	5/32	1/8-27	5
TRAKV2F03-35	5/32	1/4-18	5
TRAKV2F07-34	1/4	1/8-27	5
TRAKV2F07-35	1/4	1/4-18	5
TRAKV2F07-36	1/4	3/8-18	5
TRAKV2F11-34	3/8	1/8-27	5
TRAKV2F11-35	3/8	1/4-18	5
TRAKV2F11-36	3/8	3/8-18	5
TRAKV2F11-37	3/8	1/2-14	5
TRAKV2F13-34	1/2	1/8-27	5
TRAKV2F13-35	1/2	1/4-18	5
TRAKV2F13-36	1/2	3/8-18	5
TRAKV2F13-37	1/2	1/2-14	5

90° MALE ELBOW



PART NO.	TUBE OD	THREAD NPT	QTY
TRAKV2L03-34S	5/32	1/8-27	5
TRAKV2L07-34S	1/4	1/8-27	5
TRAKV2L07-35S	1/4	1/4-18	5
TRAKV2L07-36S	1/4	3/8-18	5
TRAKV2L11-34S	3/8	1/8-27	5
TRAKV2L11-35S	3/8	1/4-18	5
TRAKV2L11-36S	3/8	3/8-18	5
TRAKV2L11-37S	3/8	1/2-14	5
TRAKV2L13-35S	1/2	1/4-18	1
TRAKV2L13-36S	1/2	3/8-18	1
TRAKV2L13-37S	1/2	1/2-14	1
TRAKV2L15-36S	5/8	3/8-18	1
TRAKV2L15-37S	5/8	1/2-14	1
TRAKV2L19-37S	3/4	1/2-14	1